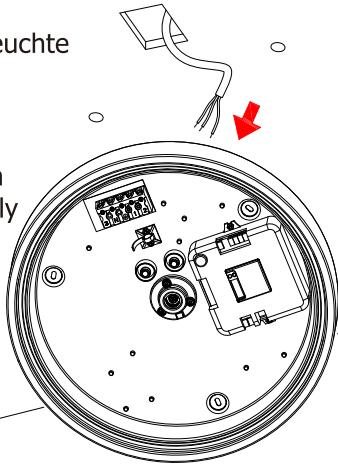


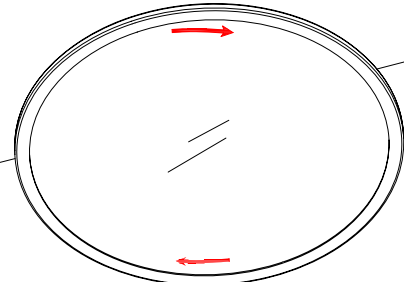
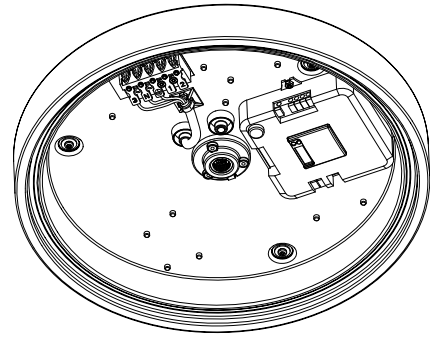


Achtung!
Die Installation dieser Leuchte darf nur durch einen Fachmann erfolgen!

Attention please!
The electrical installation should be carried out only by qualified personnel.



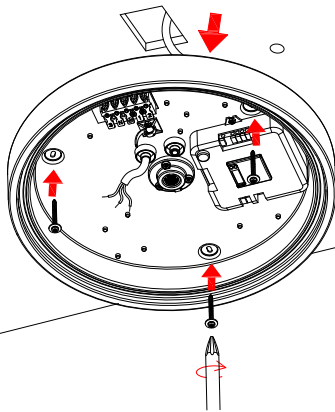
a



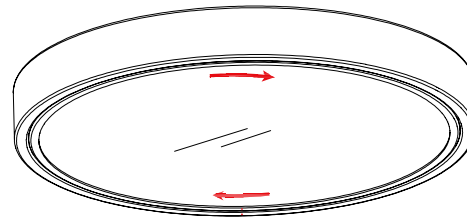
② Turn it until you hear "click"
Bitte drehen, bis es "klickt"

① ↑

d



b



e

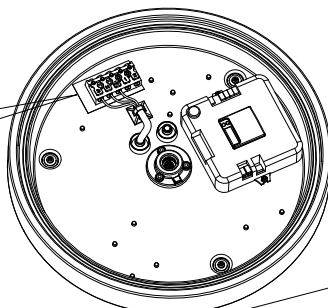
3 N 1 2

L N G

L(Brown/Black)

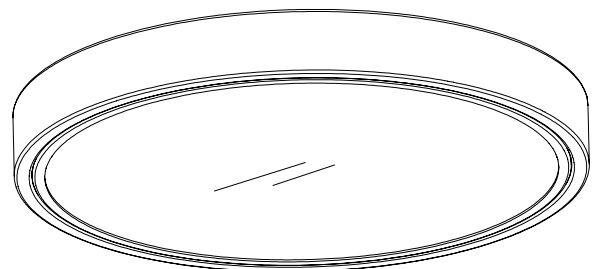
G(Green and yellow)
N(Blue/White)

0.75-1.5
8mm
wire preparation



c

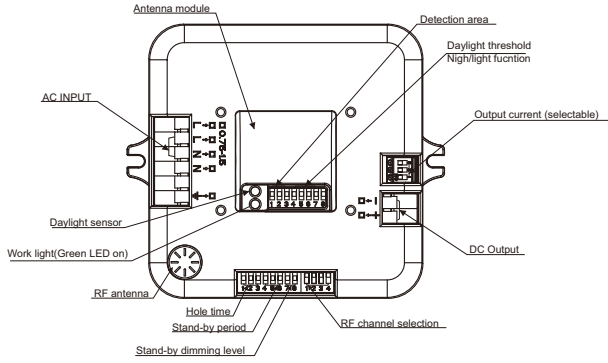
f



The led light source in the light module of this luminaire is not replaceable, when the led light source reaches its end of life the light module shall be replaced.

Die im Lichtelement verbauten LEDs sind nicht austauschbar, ist ihre Lebensdauer beendet, kann das ganze Lichtelement ausgetauscht werden.

CE IP44



Detection area

Detection area can be reduced by selecting the combination on the DIP switches to fit precisely each application .

	1	2	3	
ON	ON	ON	ON	100%
	-	ON	ON	75%
	ON	-	ON	50%
	-	-	ON	25%
	-	-	-	10%

Daylight threshold*

The sensor can be set to only allow the lamp to illuminate below a defined ambient brightness threshold. When set to Disable mode, the daylight sensor will switch on the lamp when motion is detected regardless of ambient light level.

Important: The dip switch no. 8 is on "on".
100lux, 50lux, 35lux: twilight operation, 10lux, 2lux: darkness operation only.

Note that daylight sensor is active only when lamp totally switches off.

	4	5	6	7	8	
ON	ON	ON	ON	ON	ON	Disable
	-	ON	ON	ON	ON	100lux
	ON	-	ON	ON	ON	50lux
	-	-	ON	ON	ON	35lux
	-	-	-	ON	ON	10lux
	-	-	-	-	ON	2lux

Night light sensor function*

When ambient brightness is over close lux level, load will be switched off automatically even if motion detected; When ambient brightness is below open lux level, load will be switched on even if no motion detected.

Important: The dip switch no. 8 is on "on".

*Daylight threshold and Night/light function is set via the same 4 dip switches, and cannot operate simultaneously.

	4	5	6	7	8	open	close
ON	ON	ON	ON	ON	-	40lux	150lux
	-	ON	ON	ON	-	10lux	50lux
	ON	-	ON	ON	-	5lux	40lux
	-	-	-	ON	-	2lux	20lux

Output Current/Voltage

Multi-output current from 300mA to 700mA.

Output current 300mA/350mA/450mA/600mA/700mA selectable by dip switches.

	1	2	3		
ON	ON	ON	ON	700mA	11-27.2V
	ON	-	ON	600mA	11-27.2V
	-	ON	ON	450mA	11-40.8V
	-	-	ON	350mA	11-54.5V
	-	-	-	300mA	11-61.2V

Hold time

Refers to the time period the lamp remains at 100% illumination after no motion detected.

	1	2	3	
ON	ON	ON	ON	5S
	-	ON	ON	30S
	ON	-	ON	90S
	-	-	ON	3min
	ON	ON	-	20min
	-	-	-	30min

Stand-by period

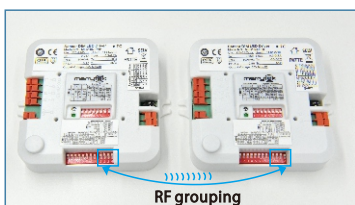
Refers to the time period the lamp remains at a low light level before it completely switches off in the long absence of people. When set to Disable mode, the low light is maintained until motion is detected.

	4	5	6	
ON	ON	ON	ON	0S
	-	ON	ON	5min
	ON	-	ON	10min
	-	-	ON	30min
	ON	ON	-	1H
	-	-	-	+∞

Stand-by dimming level

The low light level you would like to have after the hold time in the long absence of people.

	7	8	
ON	ON	ON	10%
	-	ON	20%
	ON	-	30%
	-	-	50%



	1	2	3	4	Channel
	1	-	-	-	1channel
	2	-	-	ON	2channel
	3	ON	-	-	3channel
	4	-	ON	ON	4channel
	5	ON	-	-	5channel
	6	-	ON	-	6channel
	7	ON	ON	-	7channel
	8	-	ON	ON	8channel
	9	ON	-	-	9channel
	10	ON	-	ON	10channel
	11	ON	-	ON	11channel
	12	ON	-	ON	12channel
	13	ON	ON	-	13channel
	14	ON	ON	-	14channel
	15	ON	ON	ON	15channel
	16	ON	ON	ON	16channel

RF Channel Selection

RF wireless net working, up to 16 different groups, set exact same configuration in each driver the can communicate with each other.